

SPA



I-SPACE with sauna, Jacuzzi, Turkish bath, relaxing rooms, emotional showers and massages

COFFEE BREAKS OR COCKTAIL SESSIONS



Bar della Regina

RESTAURANT LA CASCATA



300 seats in a beautiful Restaurant facing the Garden

RESTAURANT IMPERIALINO

Capacity 150 pax. Sala Volta
Capacity 70 pax. Sala Manzoni (upper floor)

LOCAL GOURMET

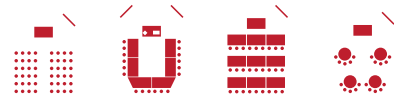


TRANSFERS & TEAMBUILDING ACTIVITIES

Following services are available

- Transfer from and to the airports
- Boat Excursions
- Cooking Classes
- Treasure Hunts
- Wine or Chocolate Tasting
- Trekking
- Golf

MEETING FACILITIES



Sale Meeting	Projector	Natural Light	Microph (max 2)	Amplific.	Theater	U Shape	Classroom	Cabaret
Bassanini m2: 234	Si	Si	Si	Si	290	70	150	120
Bellagio m2: 231	Si	Si	Si	Si	220	50	120	90
Lario 1 m2: 110	Si	Si	Si	Si	100	30	50	40
Lario 2 m2: 123	Si	Si	Si	Si	110	50	60	50
Tremezzo m2: 114	Si	Si	Si	No	60	28	30	30
Cernobbio m2: 52	Si	Si	No	No	40	20	20	-
Varenna m2: 36	Si	No	No	No	30	15	15	-
Moltrasio m2: 28	Si	Si	No	No	20	10	10	-




GRAND HOTEL IMPERIALE
RESORT & SPA
Lago di Como

Via Regina 24-26
22010 Moltrasio (CO)
Tel. +39 031346111
Fax +39 031346120
imperialemoltrasio.it

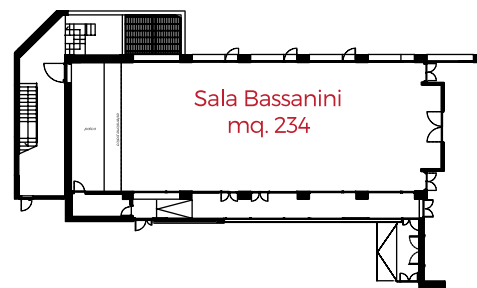


GRAND HOTEL IMPERIALE
RESORT & SPA
Lago di Como



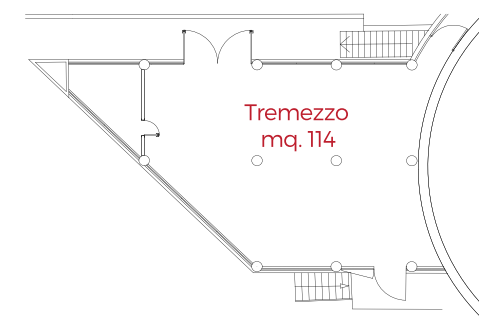
MEETING ROOM BASSANINI

234 SQM – Natural Light
 Capacity: 290 people theater style, 150 classroom, 70 U-Shape, 120 cabaret
 Equipped with a projector of 5000 ansilumen HD definition (VGA and HDMI connection), professional sound system Dolby Surround
 Soundproof, ideal also for parties or events with music



MEETING ROOM TREMEZZO

114 SQM – Natural Light
 Capacity 60 people theater style, 30 classroom, 28 U-Shape, 30 cabaret
 Equipped with a projector HD definition (VGA and HDMI connection), sound system



ROOMS



121 Rooms available with 2 Suites and 10 Rooms in the Villa

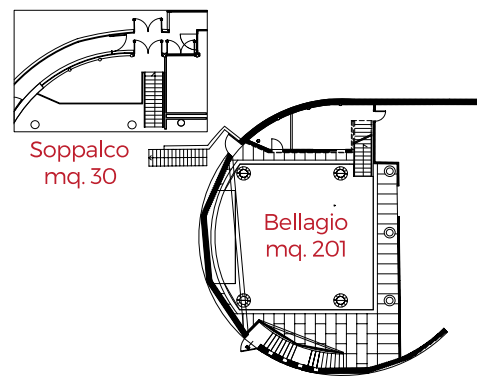
THE ONLY 4 STARS RESORT ON LAKE COMO



Located on the Lake shore
 Distances by car
 2 minutes from Villa D'Este
 15 minutes from Como downtown
 35 Minutes Milan Malpensa (MXP)
 45 Minutes from Milan Downtown (Last Supper, Fashion Square, etc.)
 10 Minutes from the Swiss border (Lugano, Swiss Alps and Fox Town fashion mall)

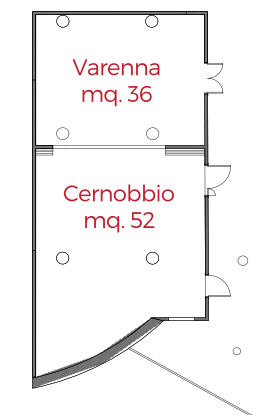
MEETING ROOM BELLAGIO

201 SQM + 30 SQM of loft – Amphitheatre style – Natural Light
 Capacity: 220 people theater style, 120 classroom, 50 U-Shape, 90 cabaret
 Equipped with a projector of 5000 ansilumen HD definition (VGA and HDMI connection), professional sound system Dolby Surround
 Soundproof, with marble floor ideal also for dinners, parties or events with music



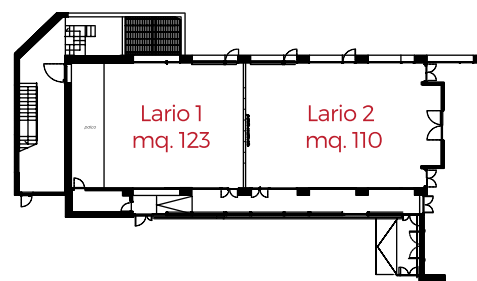
MEETING ROOM CERNOBBIO E VARENNA

Cernobbio Room: 52 SQM – Natural Light
 Varenna Room: 36 SQM (connected to Cernobbio Room)
 Cernobbio Room: 40 people theater style, 20 classroom, 20 U-Shape
 Varenna Room: 30 people theater style, 15 classroom, 15 boardroom
 Equipped with a projector HD definition (VGA and HDMI connection)



MEETING ROOM LARIO 1 & 2

110 SQM Lario 1 – 123 SQM Lario 2 – Natural Light
 Lario 1: Capacity 100 people theater style, 50 classroom, 30 U-Shape, 40 cabaret
 Lario 2: Capacity 110 people theater style, 60 classroom, 50 U-Shape, 50 cabaret
 Equipped with a projector of 5000 ansilumen HD definition (VGA and HDMI connection), professional sound system Dolby Surround
 Ideal for meetings or breakout sessions



MEETING ROOM MOLTRASIO

28 SQM – Natural Light
 20 people theater style, 10 classroom, 10 boardroom
 Equipped with a projector HD definition (VGA and HDMI connection)
 Ideal for small groups or conference call

